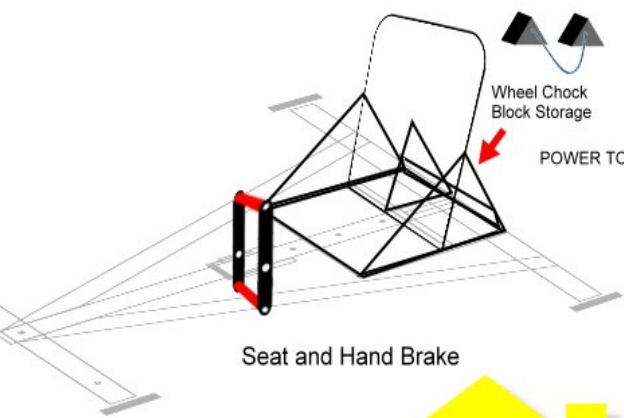


Adult Participation and Supervision Required to raise up a LEADER!

Safety must be your top concern when working with power tools. Wear safety glasses. Keep loose hair and clothing away from power tools. A Sharp blade or tool bit cuts easier and is safer. Keep all tools out of reach of small children.



TOOLS FOR MEASURING
Steel tape measure
Carpenter's square
Chalk line
Combination square

POWER TOOLS FOR CUTTING AND DRILLING
Circular saw
3/8" variable-speed drill
Table saw (Bench saw)
Drill/Cordless drill
Router
Radial-arm saw

HAND TOOLS FOR SAWING
Hand Saw
Back saw and miter box

TOOLS FOR ASSEMBLING
Flat Blade screwdriver
Phillips-head screwdriver
Wood screws
WRENCHES

Open-end wrench
Box or socket wrench

PLIERS
Channel lock pliers

ADHESIVES
Wood Glue

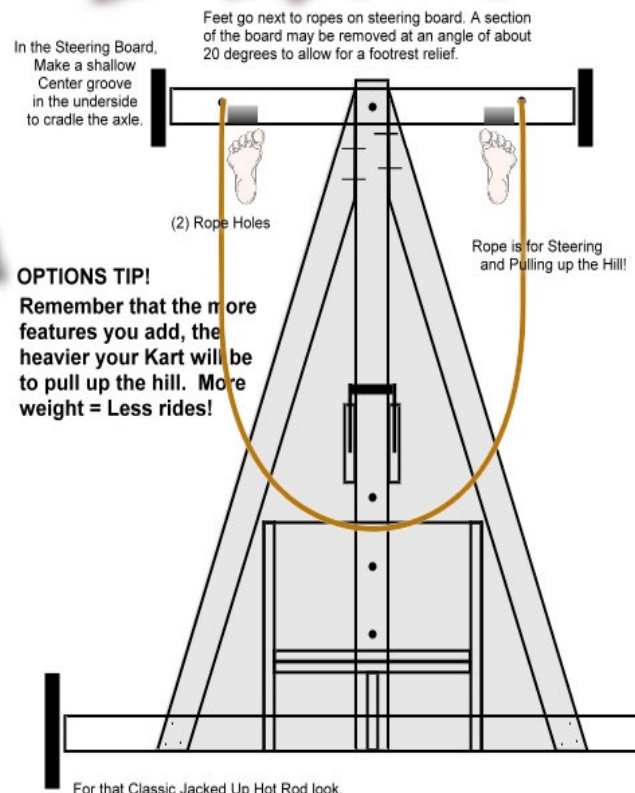
TOOLS FOR FINISHING WORK
Power Sanders
Block plane
Sanding block
Sanding cloth
Wood Grade Sandpaper
Wood File

MISCELLANEOUS TOOLS
Sawhorses
Shop vacuum
Broom and Pan



FLOOR BOARD (Plywood) Shown with Flames and Cheese Designs. Paint it, use Decals and do whatever YOU want! The possibilities are UNLIMITED!

**Lightweight!
Minimal Tools!
Inexpensive!
Quick and Easy!
One Weekend!**



OPTIONS TIP!
Remember that the more features you add, the heavier your Kart will be to pull up the hill. More weight = Less rides!

For that Classic Jacked Up Hot Rod look, You may want to Double the 2 x 4 here and make a shallow Center groove where the axle will rest.

MATERIALS LIST

- FRAME**
(3) 2 x 4 x 8's
(2) 2 x 4 x 10's
(1) Half Sheet, 1/2 inch Plywood (Remainder for seat)
3/4 inch wood screws
- WHEELS**
(4) Steel rimmed wheels w/bearings
(2) 1/2 inch x 5 foot threaded rod
(14) U-Bolts to attach axle
(8) 1/2 inch nuts
(8) 1/2 inch washers
(4) Cotter Pins
- SEAT - Slight Back Tilt**
(2) Carriage Bolts (Smooth Head)
(2) Washers
(2) Self Locking Nuts
Plywood - see frame above
- HAND BRAKE**
(2) 2 inch dowel
(2) Hardwood Verticals
(1) Door hinge
(1) 2 x 6 to hold Old Car Tire Tread
(2) Solid Steel Hoop Gate Handle to create tunnel for rolling dowel on Tread board
(1) Small Bungee cord to keep brake up
- STEERING**
(1) Rope (Knot on top)
- DRESS UPS/UPGRADES**
Paint
Front/Rear Bumpers
Rear Wing
Half Plastic Plant Pot or Bowl Fenders (Add block on top of axle board to attach)
Double Wheel the rear axle. (Requires longer axle.)

Dad,
as this project takes time to build it right, so do relationships. Let your kids see you loving their Mom well, then spend time with your kids. Investing your time in these is the call of Fatherhood and will pay dividends for generations to come.

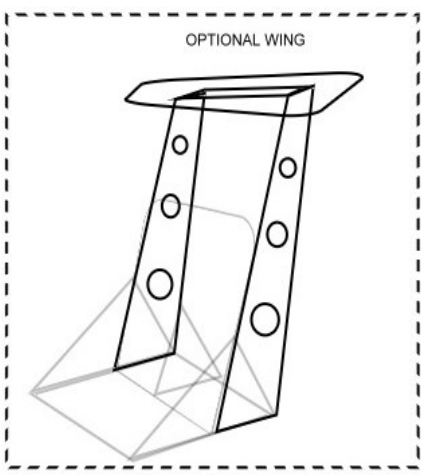


Get your son's friends and Dad's together and watch "Miracle in Lane 2"

SAFETY TIP!
Dress like the Pros!
Wear a Helmet, Gloves, Elbow Pads, etc.!



Use U-Bolts to attach Axle to frame



LEADERS Accept responsibility for their decisions and actions. You are free to decide to use or not use these plans. NO guarantees whatsoever are made in any regard.

Male Mentoring: i.e. Father/Son, Uncle/Nephew, Older Brother/Younger Brother, etc.

a NeighborReach.Org Partner

WARNING:
Building this kart together may result in a stronger relationship.

CLASS: Father & Son Experimental

TITLE: "AJAX Avenger" **KOASTER KART**

SCALE: 1:10

UNITS: MM

SHEET: 1